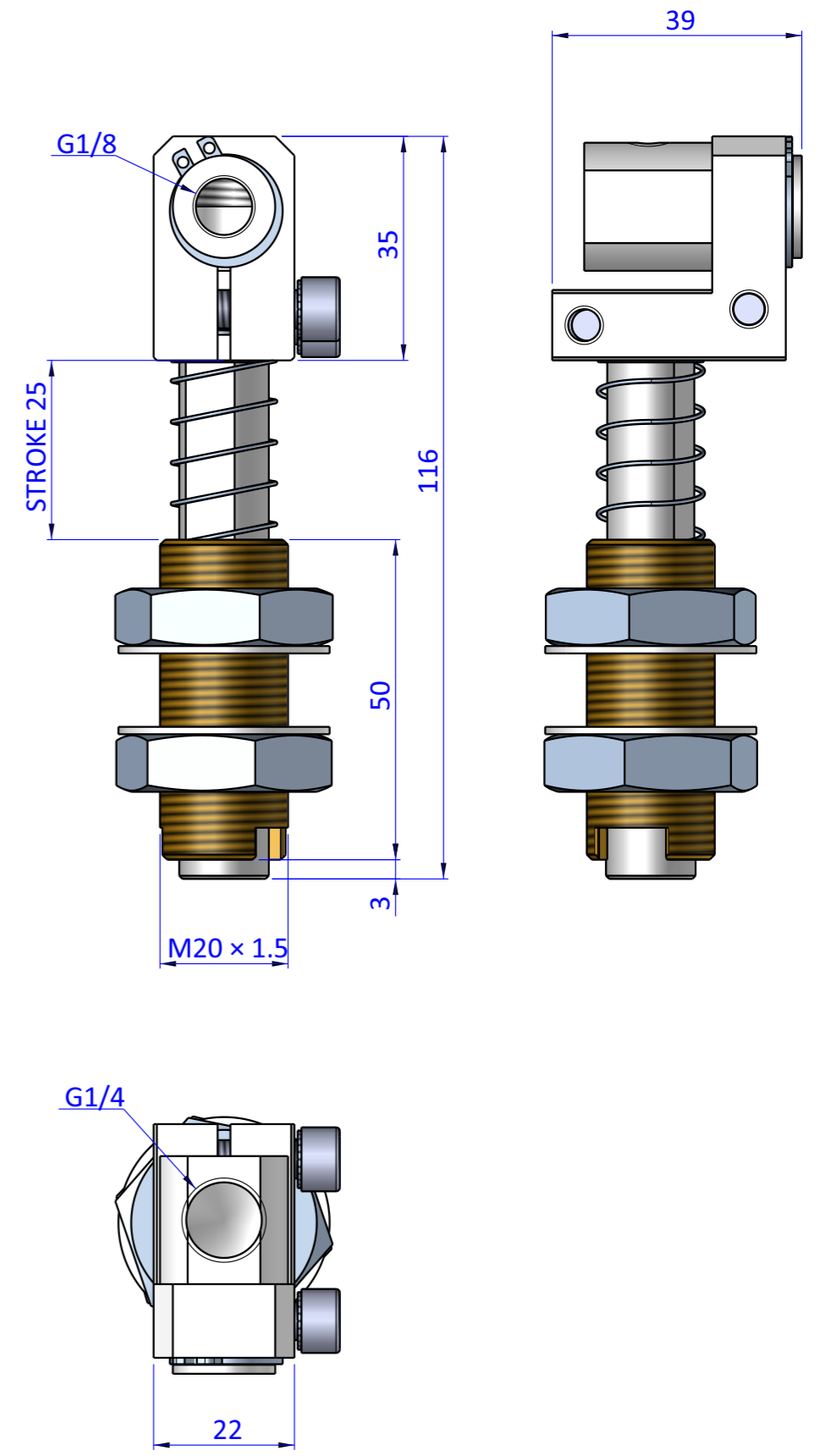
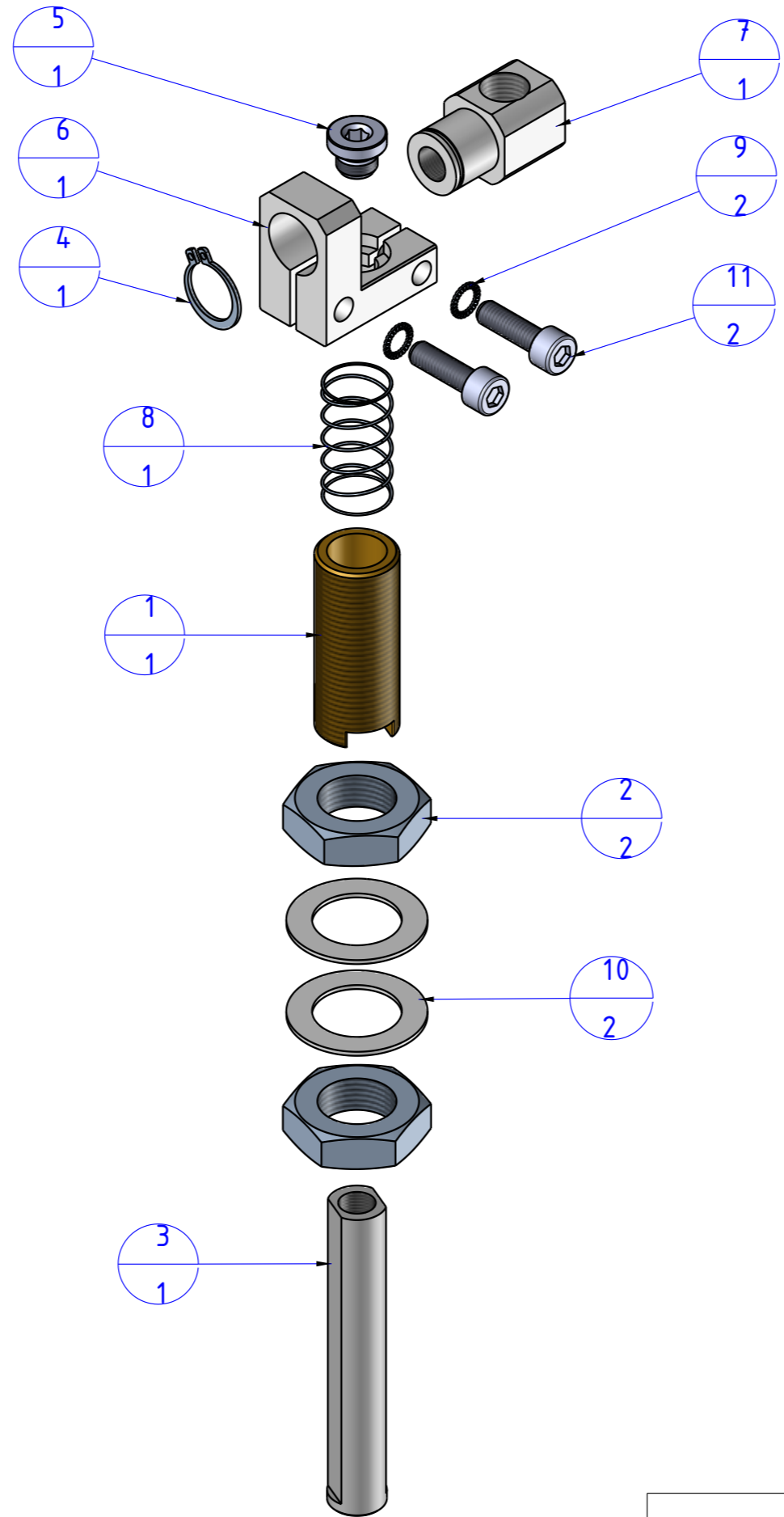



THE PROPERTY OF THE DRAWING IS ESTABLISHED BY LAW. IT IS FORBIDDEN TO PRODUCE OR SHOW IT TO THIRD PART. WITHOUT A WRITTEN AGREEMENT.

Item	Name	Q.ty
1	05.02.001.02	1
2	05.02.001.06	2
3	05.02.001.07	1
4	A.ELA16	1
5	CA.08.14.014	1
6	GG.S.01.03	1
7	GG.S.02.03	1
8	M.16x35	1
9	R.6.SCH	2
10	R.20.SCH	2
11	V.TCE6x20	2



Format A3
UNI 936-76

 FPS FPSERVICES AUTOMATION		DESIGNED FROM		REVIEW
		FPS Automation		A
GENERAL TOLERANCE		DATE		WEIGHT
UNI - ISO 2768		-		0,221kg
CLASSE f		CODE		
		CA.GGSM201425		CA.GGSM201425